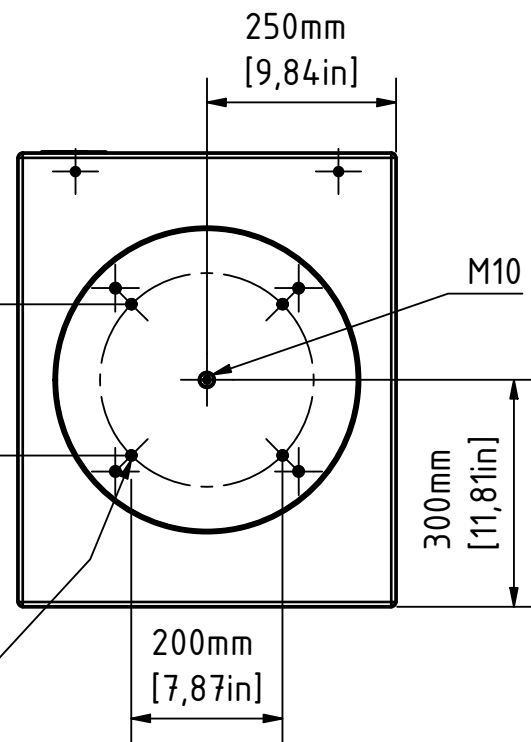


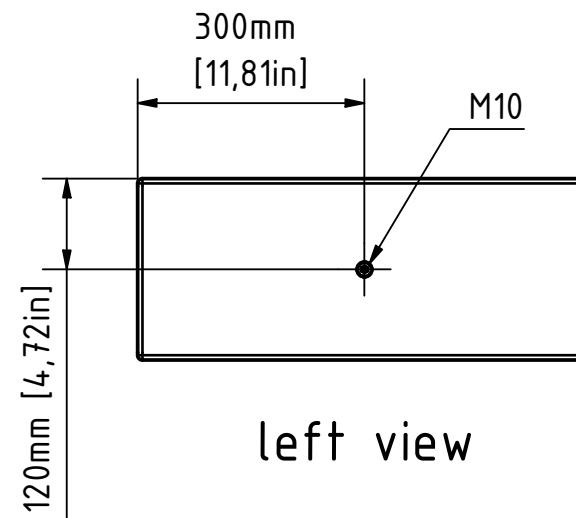
right view



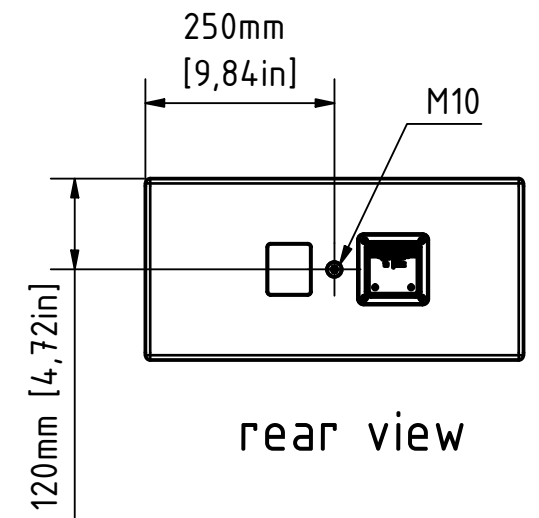
bottom view



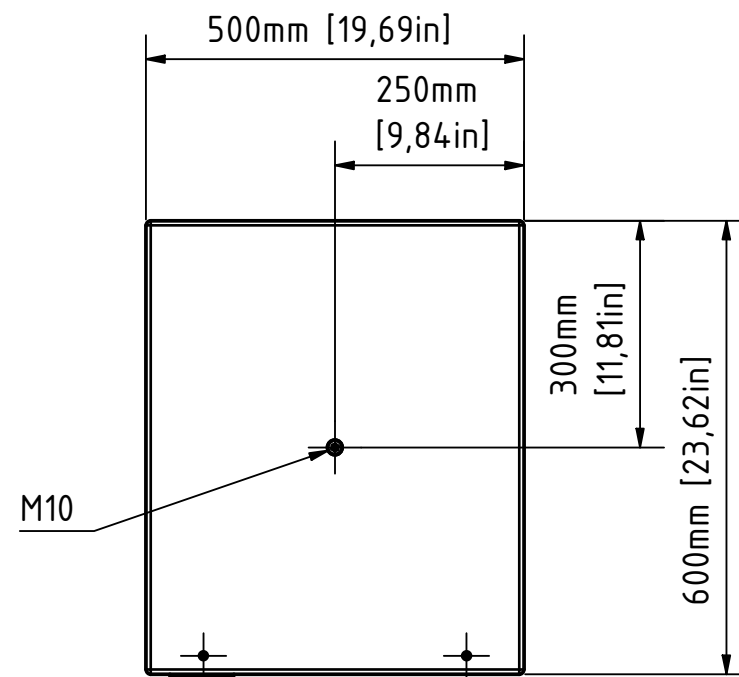
front view



left view



rear view



top view

0			23.09.2019	Heike Konrad
rev. no.		description	date	modified by
revision process				
<b>TWAUDIO</b> Osterholzallee 140-2 71636 Ludwigsburg www.twaudio.de		scale:		
		weight:	20,4 kg [45 lbs]	
All rights to this drawing reserved in accordance with ISO 16016. Copying and distribution by manufacturer's permission only.		document type:	overview drawing	
		status type:	released	
general tolerance ISO 2768-mK ISO 13920-BF ISO 9013-IIA/K according to ISO 8015		edges according to ISO 13715		
		surfaces (Ra) array 2 array 3 DIN ISO 1302		
constructed: 28.02.2018 drawn: 09.10.2018 checked: approved: 23.09.2019		name	Stefan Ullrich	
		name	Heike Konrad	
C:\CAD_TW_AUDIO\CAD-Daten\Entwicklung\B14\B14i_kpl.iam		order number:	5167	
		type:	B14i	
		drawing number:	TWA-B14i-0001	
		revision no.:	0	sheet: 1   1
				A3